

# 1-083 Quarter-Turn Pr20.1 L12

Tool operable, IP65, Low profile, Optional pre-assembly

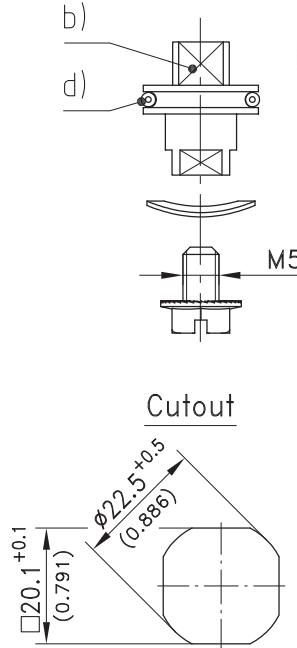
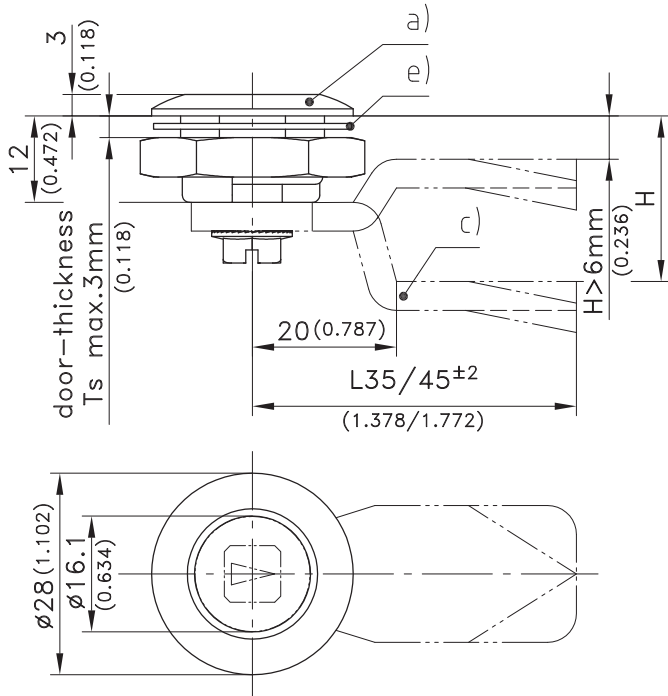


## Product Notes:

- Low profile design
- RH and LH application
- Water and dust tight according to IP65, DIN EN 60529
- Components can be pre-assembled by DIRAK upon request
- Pre-assembled Quarter-Turn can be installed in cutout
- Grounding achieved with grounding nut

## Material:

- **Housing, insert:** Zinc Die, Chrome Plated or Black
- **Cams and nut:** Steel, Zinc Plated
- **Grounding nut:** Zinc Die, Untreated



a) Housing 12mm	Zinc Die Chrome Plated	Zinc Die Black	See Page
With nut	100-9044	100-9046	
With grounding nut	100-9045	100-9047	
b) Insert			
Square 6mm	100-9138.00-00008	100-9140.00-00008	
Square 7mm	100-9138.00-00009	100-9140.00-00009	
Square 8mm	100-9138.00-00010	100-9140.00-00010	
Tringular 7mm	100-9138.00-00011	100-9140.00-00011	
Tringular 8mm	100-9138.00-00012	100-9140.00-00012	
Double bit 3mm	100-9138.00-00006	100-9140.00-00006	
Double bit 5mm	100-9138.00-00007	100-9140.00-00007	
Slotted 2x4mm deep	100-9138.00-00013	100-9140.00-00013	
c) Cams			01.101, 01.102, 01.103, 01.104
<b>NOTE: to be aimed at H ≥ 6mm</b>			
<b>Optional:</b>			
<b>Water and dust tight according to IP65 by:</b>			
d) O-ring 12x2mm	200-1001	200-1001	
e) Flat external seal	200-0901	200-0901	
f) Assembling of cam	200-0001	200-0001	
Assembling of cam, with O-ring	200-0002	200-0002	
g) Key for insert			10.18